

CHATHAM COUNTY PURCHASING & CONTRACTING DEPARTMENT

ADDENDUM NO. 2 TO 21-0097-4

FOR: WILLOW LAKES DRAINAGE IMPROVEMENTS

PLEASE SEE THE FOLLOWING FOR ADDITIONS, CLARIFICATIONS AND/OR CHANGES:

1. See attached Responses to Questions Received (1 page)
2. Replace current Bid Sheet with the attached *revised* Bid Sheet. (1 page)
3. See attached *Typical Trench Detail for HDPE pipe model.* (1 page)

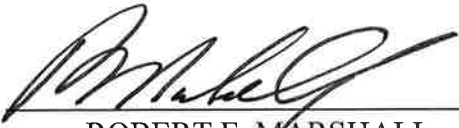
NOTE: THE BID OPENING HAS BEEN EXTENDED TO: 2PM, WEDNESDAY, SEPTEMBER 15, 2021.

The deadline to submit questions in writing is 11:00 am, Wednesday, September 1, 2021

**BID OPENING HAS BEEN EXTENDED TO: 2PM,
WEDNESDAY, SEPTEMBER 15, 2021**

THE PROPOSER IS RESPONSIBLE FOR MAKING THE NECESSARY CHANGES AND MUST ACKNOWLEDGE RECEIPT OF ADDENDUM.

8/26/21
DATE



ROBERT E. MARSHALL
SENIOR PROCUREMENT SPECIALIST
CHATHAM COUNTY

Bid No. 21-0097-4

Addendum 2

QUESTIONS RECEIVED:

1. Q) Will silt fence be required?
A) *NO*
2. Q) Will tree protection be required?
A) *NO*
3. Q) Will tracer wire be required?
A) *NO*
4. Q) Do we need to provide as-builts?
A) *YES. Inverts on pipes. Inverts and tops on boxes.*
5. Q) Do we need to provide a video inspection of the storm line and boxes?
A) *Not unless we see major issues with infiltration.*
6. Q) What is the height of the aluminum angle on the outfall control structure?
A) *4 foot long.*
7. Q) Do we need to reestablish a ditch along the top of the new storm line?
A) *YES. The ditch invert will remain virtually in the same place. The pipe system will go beneath the ditch.*
8. Q) Can we use Willow Lakes cul-de-sac for construction traffic turn around?
A) *YES. There is an intersection in the subdivision to use as a turn around. There is also a small driveway about halfway down the project on the north side that can be used as a 3-point turn around. The parking area at the pool can also be used.*
9. Q) Are we responsible for asphalt damaged during construction?
A) *NO. There will be a project following this one to rebuild the roadway. However, the roadway needs to be passable for residents; so any large potholes or damaged areas may need to be filled with gravel when complete.*

Bid Sheet
Willow Lakes Drainage Improvement
21-0097-4
August 2021
Revised

Base Bid					
Item	Description	Quantity	Unit	Unit Price	Item Total
1.	General Conditions / Mobilization	1	LS		
2.	Traffic Control	1	LS		
3.	Clearing and Grubbing	1	LS		
4.	Grading Complete	1	LS		
5.	Remove/Replace Unsuitable Soils	500	CY		
6.	Storm Drain Pipe, 48" RCP, H1-10	2,476	LF		
7.	6x6 Roof Inlet	7	EA		
8.	Outlet Control Structure	1	EA		
9.	Temporary Grassing	0.9	AC		
10.	Permanent Grass	0.9	AC		
11.	Inlet Sediment Protection	8	EA		
12.	Field Condition Allowance				\$20,000.00

Total Base Bid Cost

Note: Award will be based on Base Bid Price.

Alternate 1					
1.	Substitute 48" HDPE for 48" RCP. Price includes all excavation, trenching, pipe, joints, filter fabric, anchoring, backfill, compaction, televising and all incidental labor and material necessary to complete the construction of pipe.	2476	LF		

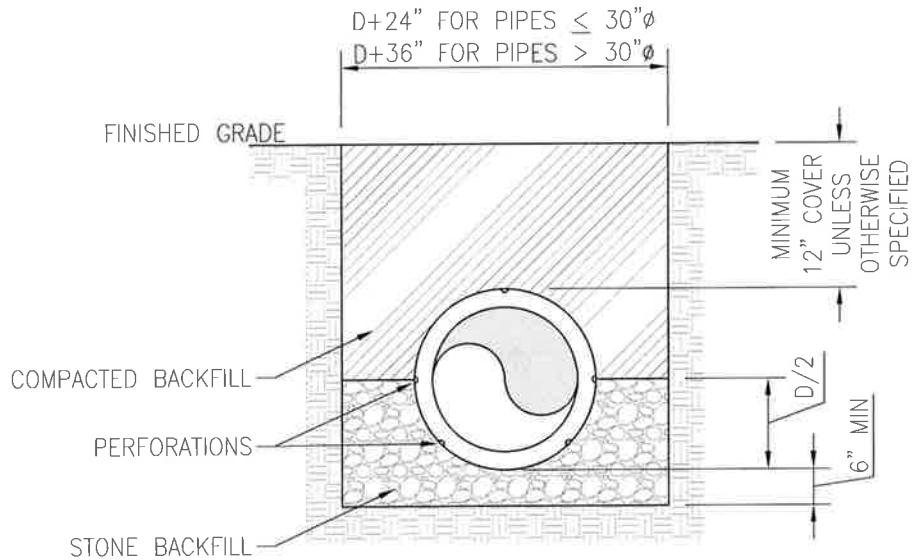
 Name / Title

 Company

 Address

 Phone

 Email



NOTES:

1. COMPACT SUBGRADE TO 100% STD COMPACTION FOR TRAFFIC AREAS AND 95% STD COMPACTION FOR NON-TRAFFIC AREAS.
2. COMPACTED BACKFILL SHALL BE 100% STD COMPACTION FOR TRAFFIC AREAS AND 95% STD COMPACTION FOR NON-TRAFFIC AREAS.
3. STONE SHALL BE #57 STONE.
4. BACKFILLING SHALL BE ACCOMPLISHED WITH LAYERS NOT EXCEEDING 6" LIFTS TO 12" ABOVE THE PIPE THEN LAYERS NOT EXCEEDING 8" LIFTS TO FINISHED GRADE.
5. COST OF STONE BACKFILL TO BE INCLUDED IN PRICE BID FOR PIPE.
6. CONTRACTOR SHALL INSTALL FOUR PERFORATIONS NO SMALLER THAN $\frac{1}{2}$ " IN DIAMETER AROUND THE BOTTOM OF THE PIPE AND ONE PERFORATION ON THE TOP OF THE PIPE ON EVERY OTHER CORRUGATION ALONG THE ENTIRE LENGTH OF ALL PIPES TO ENSURE THE PIPES DO NOT FLOAT.
7. IN LIEU OF PERFORATIONS, CONTRACTOR MAY USE TIE DOWN STRAPS WITH SCREW ANCHORS LOCATED AT THE MIDPOINT OF EACH PIPE SECTION AND ON EACH SIDE OF THE PIPE JOINTS.

TYPICAL TRENCH DETAIL
FOR HDPE CORRUGATED PIPE

NTS